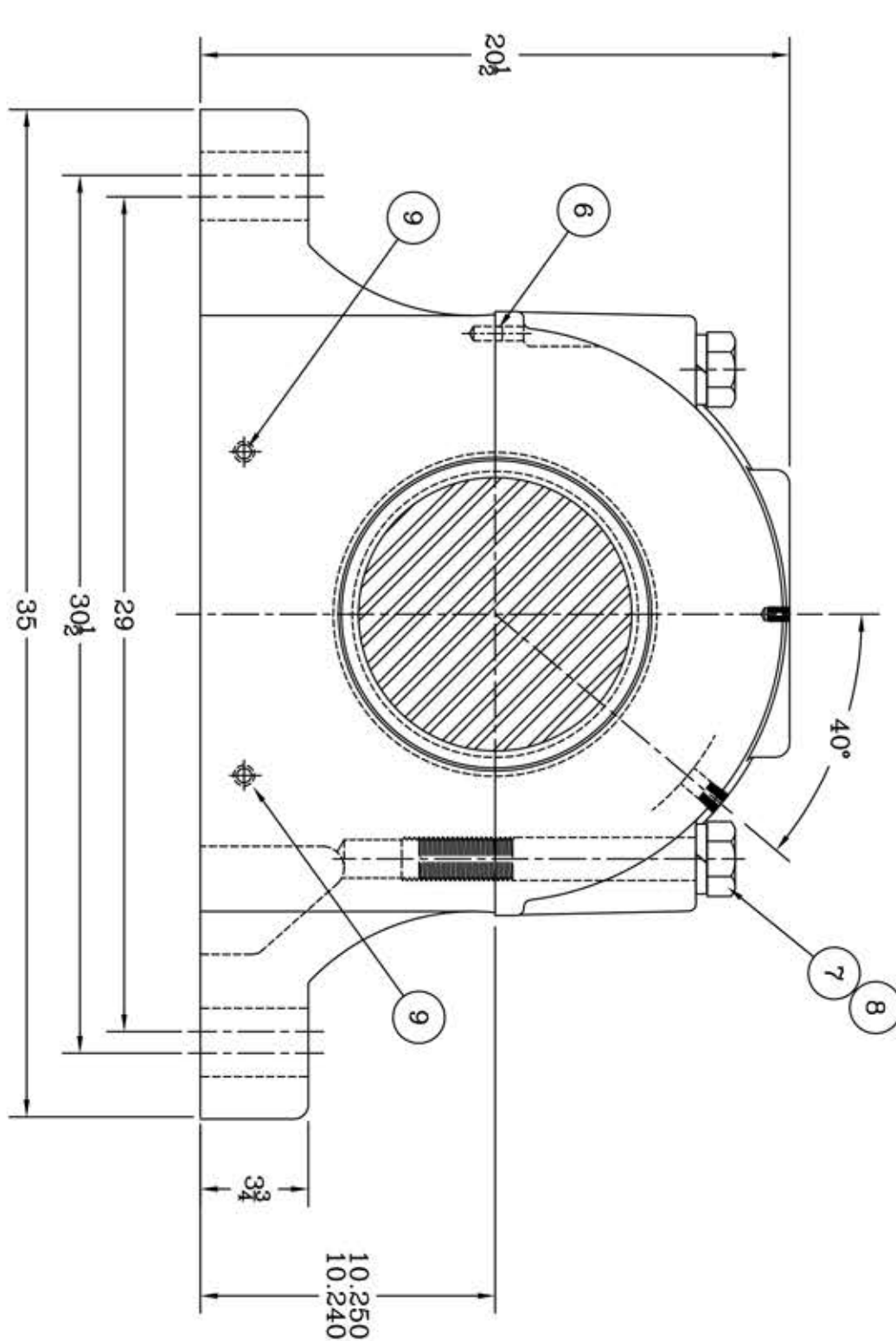
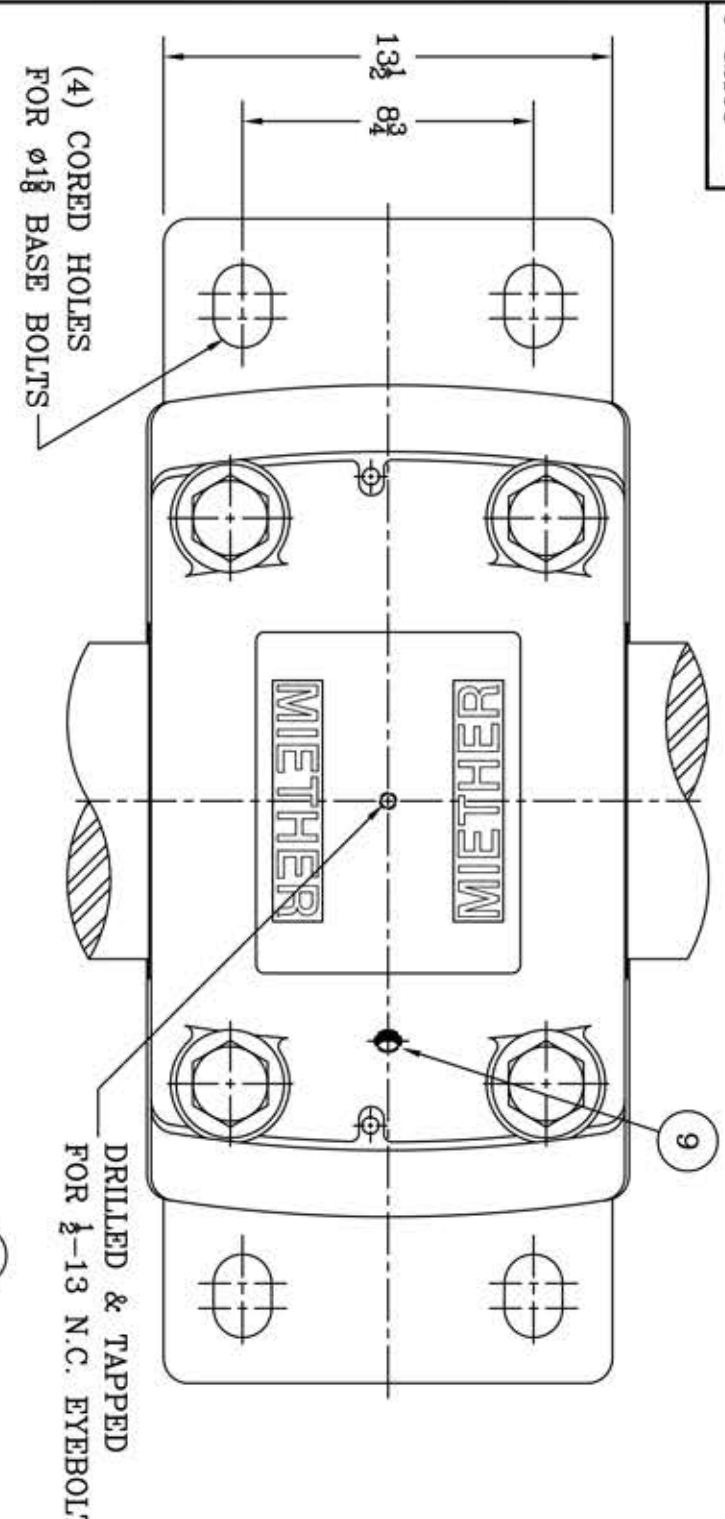
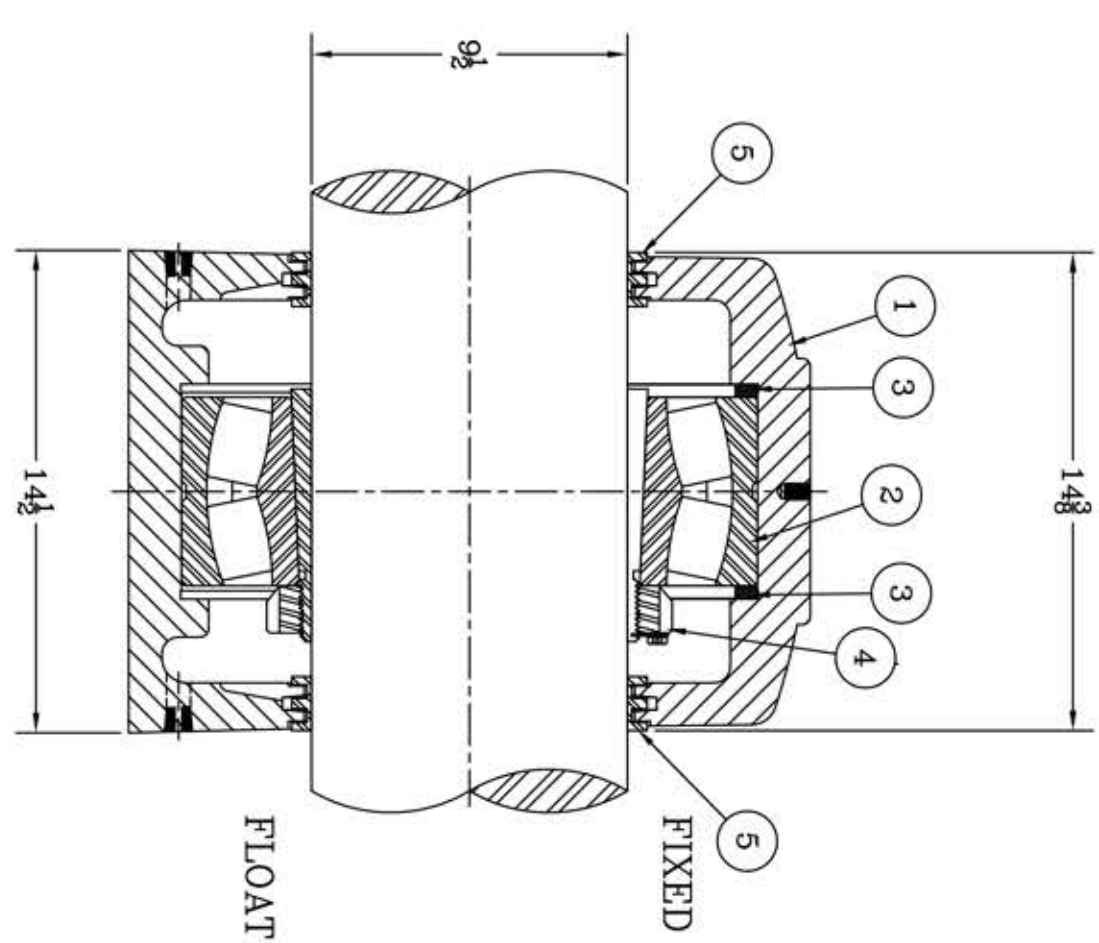


This drawing is the sole property of Miether Bearing Products and contains confidential and proprietary information. It is being provided to you for your use and may not be disclosed to any third party or used for any other purpose without Miether's prior written consent. The [materials] must be returned to the Company upon its demand. Your acceptance of these materials constitutes your acceptance of the foregoing terms.

C-32168



ITEM	DESCRIPTION	DETAIL	REQUIRED
1	HOUSING SDAF 3152 09-08	C-20668-R	1 1
2	SPHERICAL ROLLER BEARING	23152K/W-33	1 1
3	STABILIZING RING A5679	A-15611	2 0
4	ADAPTER SNP 3152 09-08	24295	1 1
5	TRIPLE SEAL RING ER-842 S	A-19358	2 2
6	DOWEL	$\phi \frac{1}{2}$ x 1" LONG	2 2
7	CAP BOLT HEX. HEAD	1 1/2-6 NC x 10" LONG	4 4
8	LOCKWASHER	1 1/2 SPLIT MED.	4 4
9	PIPE PLUG	1/2-14 NPT	5 5



REVISIONS	
SYMBOL	VALUE
✓	16
✓	32
✓	63
✓	125
✓	250
✓	500
✓	1000

TOLERANCE: UNLESS OTHERWISE SPECIFIED  
 FRACTIONS  $\pm 1/32"$  ANGLES  $\pm 0^\circ 30'$   
 DECIMALS  $\pm .005$  WELD  $\pm 1/16"$   
 CASTING  $\pm 1/16"$

A.I.S.I. STANDARD FINISHES

AN ALCO INDUSTRIES COMPANY  
 BEARING PRODUCTS  
 ODESSA, TX. USA

SDAF 23152 K 09-08	ASSEMBLY DRAWING
SCALE 1 = 4	ASSEMBLY NO.
DRAWN KAB	DRAWING NO.
DATE 3-16-05	C-32168
CHK:	